

NPS6220 Series



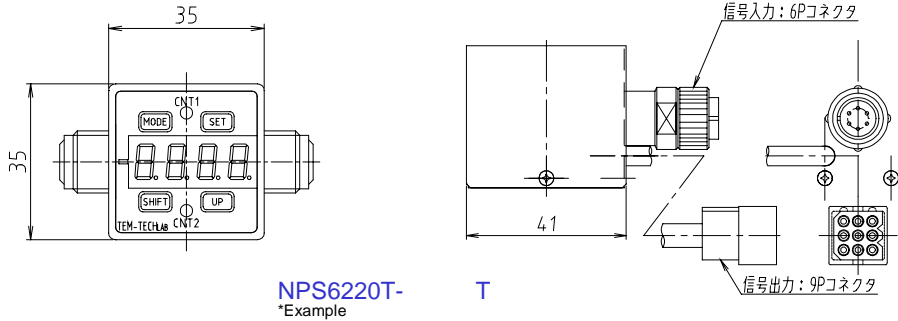
Application

Field-proven technology for monitoring any and all types of gases

Features & Benefits

- *Scaling functions*
- *Comparator with 2 set points and 4 functions*
- *Small size permits mounting on adjacent gas sticks*
- *Power supply noise protection*
- *Simple multi-function keypad operation*
- *Built-in loop-check function*
- *CE Mark / RoHS compliant*

NPS6220 Series



NPS6220T- T
*Example

Specifications

Input	4-20mA, 2-wire
Power supply	DC 24V ±10%
Accuracy	± 0.1% of rdg + 1 digit
Thermal Effect	± 100ppm of rdg + 0.2digit /degree
Alarm output	Open collector 2 Alarm actuating contacts
Analog output	4~20mA or 1~5V, 0~5V, 0~10V
Load Resistance	Less than 400 Ω- 4~20mA ; less than 10 Ω - 1~5V, 0~5V, 0~10V
Display	± 4 digits (± 9999)
Display Range	4000 digits selectable ± 9999
Polarity Indication	“—”minus indicated only when negative range
Hysteresis	5 digits
Operating Temp.	0 to 55°C (35 to 85 % RH) non-condensation
Comparator Conditions	HI-LO / HH-HI / LO-LL
Output	Photo coupler output
Cable	8 wires shield

Ordering Information (*Example: NPS6220T420T)

NPS6220	Type	-	Output	Fitting
	P Panel Mount		420 4-20mA	T Tajimi
	T Top View		005 0-5V	
	S Side View		105 1-5V	
			010 0-10V	

Specifications are subject to change without notice.

Tem-Tech Lab

Head Office

2-7-13 Tsukishima, Chuo-ku
Tokyo 104-0052 Japan
TEL:81-3-3534-5320 FAX:81-3-3534-5322

Osaka Branch

#205 9-23 Minamikawahori-chou, Tennoji,
Osaka, Osaka 543-0054 Japan
TEL:81-6-6776-9270 FAX:81-6-6776-9271

URL: <http://www.tem-tech.co.jp/>
Contact : hello@tem-tech.co.jp

AGENT:

1st Edition: Issued in Japan in 2008

No part of this publication may be reproduced or duplicated without the prior written permission of Tem-tech Lab.